

Qorvo® Multiplexer Filter Solutions

Enabling complex CA in advanced LTE & 5G architectures

Combining multiple Tx and Rx filters into a compact module



Enables carrier aggregation (CA) and EN-DC

Best-in-class insertion loss, isolation and power handling



Improves user experience with longer battery life and fewer dropped calls

Broadest, most scalable portfolio in the industry



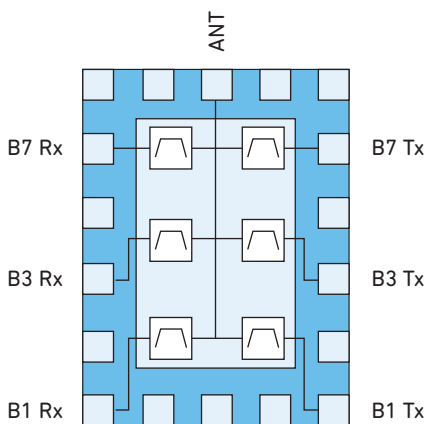
Pin-to-pin solutions for design flexibility, allowing for regional SKUs

In-house, high-volume, wafer manufacturing, assembly and test

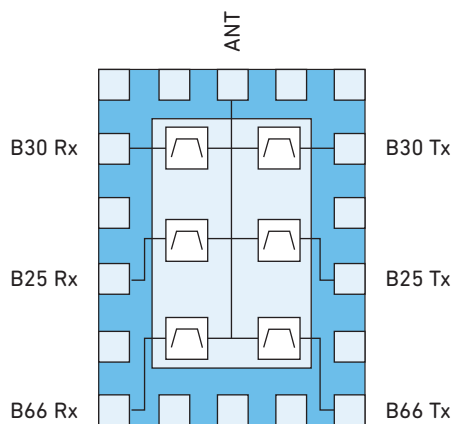


Reduces time-to-market with high quality levels and minimal defects

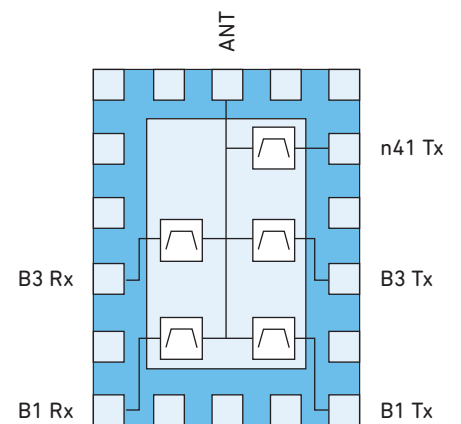
QM26001



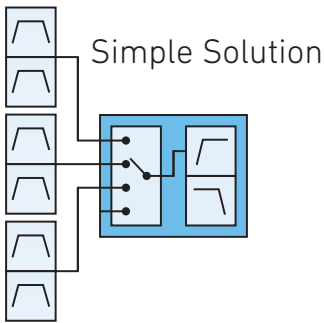
QM26002



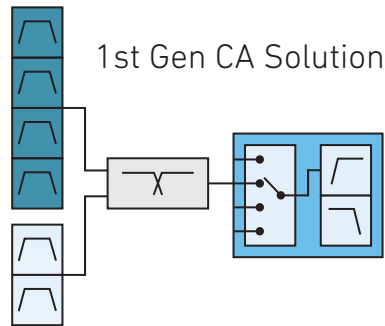
QM26003



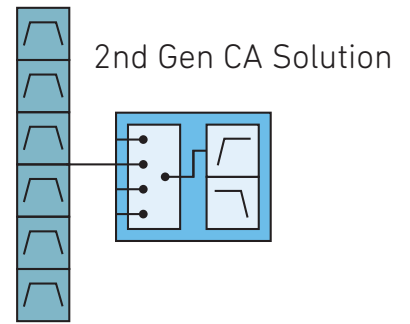
Duplexer
 Quadplexer
 Hexaplexer



- Non CA capable
- Board area for B1, B3, & B7 duplexers and associated SMDs is approximately 16mm²



- B1+B3 CA capable quadplexer (duplexer required for 1+7, 3+7, & 1+3+7)
- Board area to implement CAs adds approximately 3mm²



- Hexaplexer improves Tx & Rx insertion loss
- Supports CA capable combinations of 1+3, 1+7, 3+7, & 1+3+7
- Smallest CA solution with 50% area reduction

Function	Part Number	Size	Application	Availability
Duplexer	QM23002	1814	Band 2	Now
Duplexer	QM23003	1814	Band 3	Now
Duplexer	QM23007	1814	Band 7	Now
Quadplexer	QM25002	2520	Band 1 + Band 3	Now
Quadplexer	QM25032	2520	Band 1 + Band 3	Now
Quadplexer	QM25132	TBD	Band 1 + Band 3	Coming Soon
Quadplexer	QM25008	2621	Band 25(2) + Band 66(4)	Now
Hexaplexer	QM26001	3226	Band 1 + Band 3 + Band 7	Now
Hexaplexer	QM26002	3226	Band 25 + Band 66 + Band 30	Q1'20
Pentaplexer	QM26003	3226	Band 1 + Band 3 + n41	Q4'19

For more information on Qorvo's multiplexer filter solutions, contact your local sales office and visit qorvo.com/mobile-products

QORVO
 all around you