

# Qorvo® Filter Solutions

Scalable portfolio supports all B1, B3 & B7 filter band combinations

Carrier aggregation (CA) of more bands with less space for components



Provides flexible product options to support all CA combinations in the smallest solution size

Best-in-class insertion loss, isolation and power handling



Improves user experience with longer battery life and less dropped calls

Broadest, most scalable portfolio in the industry



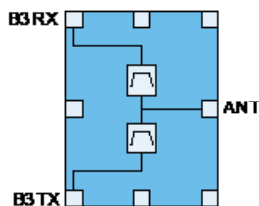
Supports duplexers and highly integrated multiplexers for all handset complexity levels

In-house, high-volume, wafer manufacturing, assembly and test

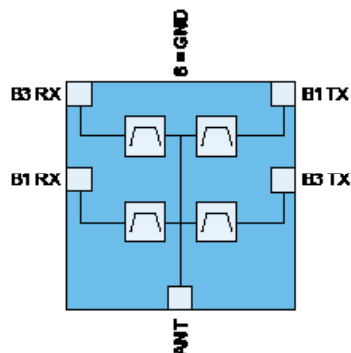


Reduces time-to-market with high quality levels and minimal defects

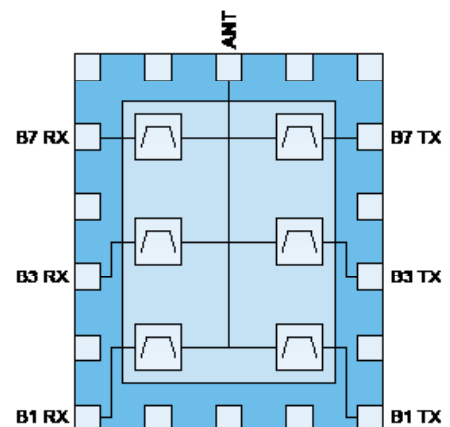
## Duplexers



## Quadplexers



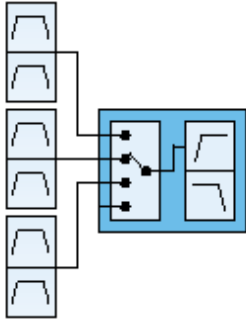
## Hexaplexers



# Qorvo's Filter Portfolio

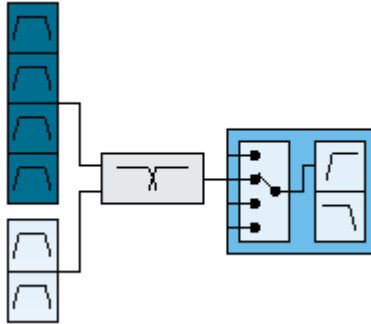
Duplexer
  Quadplexer
  Hexaplexer

## Simple Solution



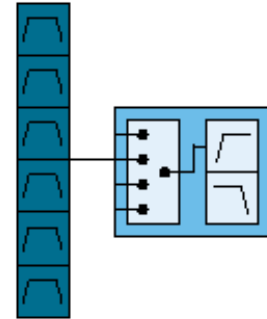
- Non CA capable
- Board area for B1, B3, & B7 duplexers and associated SMD's is approximately 16mm<sup>2</sup>

## 1st Gen CA Solution



- B1+B3 CA capable quadplexer (duplexer required for 1+7, 3+7, & 1+3+7)
- Board area to implement CAs adds approximately 3mm<sup>2</sup>

## 2nd Gen CA Solution



- Hexaplexer improves Tx & Rx insertion loss
- Supports CA capable combinations of 1+3, 1+7, 3+7, & 1+3+7
- Smallest CA solution with 50% area reduction

Function	Part Number	Size	Application	Typ IL Tx/Rx (dB)	Isolation Tx to Rx/Rx to Tx (dB)	Power Handling(dB)	Samples/ Mass Production
Duplexer	QM23002	1814	Band 2	1.8/2.0	58/59	29.0	Now/Now
Duplexer	QM23003	1814	Band 3	2.0/2.3	58/59	30.5	Now/Now
Duplexer	QM23007	1814	Band 7	2.3*/2.3*	57/57	31.0	Now/Now
Quadplexer	QM25002	2520	Band 1 + Band 3	B1: 2.0*/1.8* B3: 3.0*/2.8*	B1: 63/62 B3: 57/66	B1: 31.0 B3: 31.0	Now/Now
Quadplexer	QM25032	2520	Band 1 + Band 3	TBD	TBD	B1: 31.0 B3: 31.0	Q2'19/Q4'19
Quadplexer	QM25132	TBD	Band 1 + Band 3	TBD	TBD	TBD	Coming Soon
Quadplexer	QM25008	2621	Band 25(2) + Band 66(4)	B25: 2.5/2.6 B66: 2.5/2.4	B25: 65/65 B66: 2.5/2.4	B25(2): 31.0(29.0) B66(4): 31.0(31.0)	Now/Now
Hexaplexer	QM26001	3226	Band 1 + Band 3 + Band 7	B1: 2.2/2.0 B3: 2.6/3.0 B7: 2.5/2.2	B1: 60/61 B3: 62/60 B7: 62/64	B1: 31.0 B3: 31.0 B7: 31.0	Now/Now

\*Additional ~0.6 dB of duplexer loss would be added to typical values for full B1+B3+B7 CA support

For more information on Qorvo's mobile RF solutions, visit [qorvo.com/mobile-products](http://qorvo.com/mobile-products)

**QORVO**  
all around you