

Qorvo® Multiplexer Filter Solutions

Enabling complex antenna sharing

Multiplexing various radios (GPS, Wi-Fi, cellular including 5G) to share a single antenna



Reduces number of antennas required, creating space for smaller bezels and larger edge-to-edge screens

Best-in-class insertion loss, isolation and power handling



Maximizing radiated performance and reducing system level de-sense

Broad and scalable portfolio of antenna-plexers

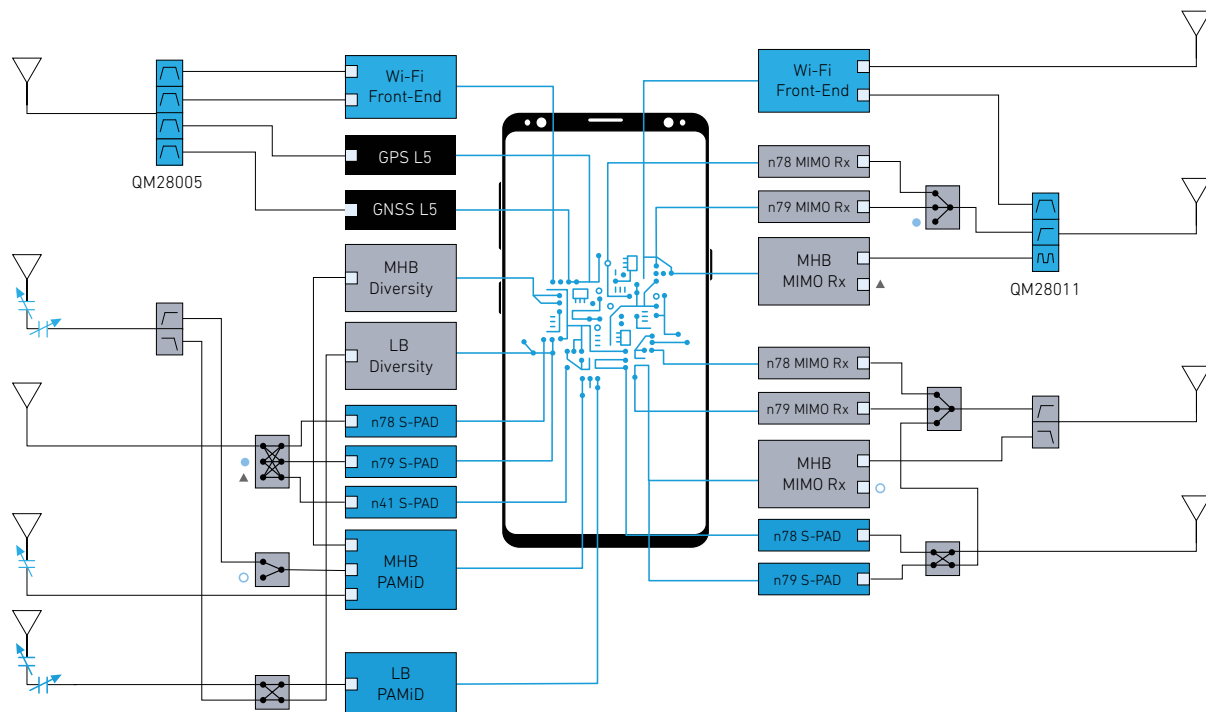


Allows for design flexibility to support architectural and industrial design changes

In-house, high-volume, wafer manufacturing, assembly and test

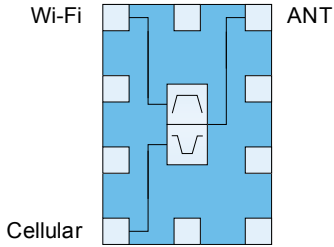


Qorvo is your trusted vendor to support designs in this rapidly changing environment

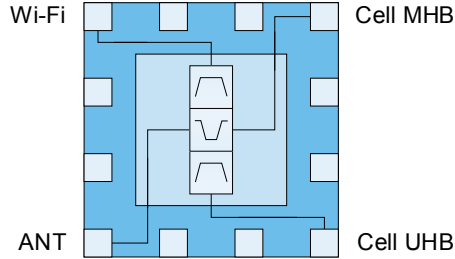


Low Insertion Loss Antenna-plexer Portfolio

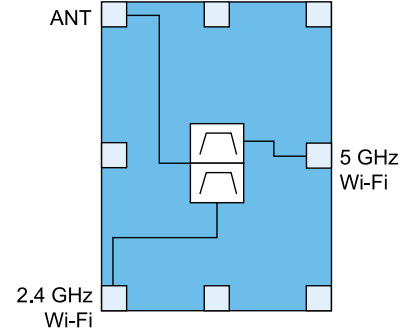
QM22246



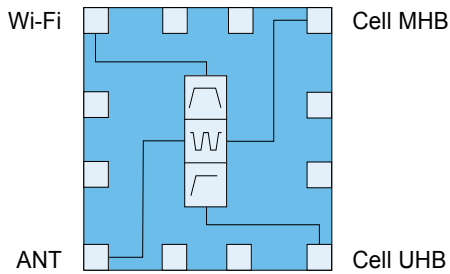
QM28001



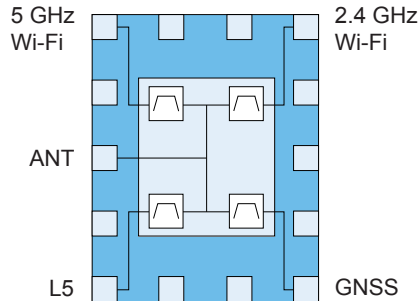
QM22450



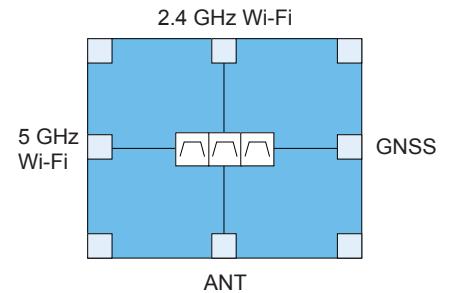
QM28011



QM28005



QM28004



Part Number	Size (mm)	Application	Availability
QM22246	1511	MHB/Wi-Fi	Now
QM28001	2020	MHB/Wi-Fi/UHB	Now
QM28011	2020	MHB/Wi-Fi/UHB	Now
QM22450	1411	2.4 GHz Wi-Fi/5 GHz Wi-Fi	Now
QM28004	1814	GNSS/2.4 GHz Wi-Fi/5 GHz Wi-Fi	Now
QM28005	2016	L5/GNSS/2.4 GHz Wi-Fi/5 GHz Wi-Fi	Now
QM28012	2016	LB/GNSS/2.4 GHz Wi-Fi/5 GHz Wi-Fi	Now
QM28014	2016	GNSS/2.4 GHz Wi-Fi/MHB	Now
QM28017	2016	GNSS/MHB/UHB	Now
QM28024	2016	n77/n79	Q3'20
QM28104	2016	GNSS with int LNA/Wi-Fi/5 GHz Wi-Fi	Q3'20

For more information on Qorvo's mobile RF solutions, visit qorvo.com/mobile-products