



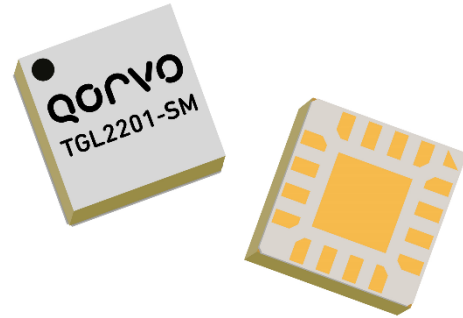
TGL2201-SM

Wideband Dual Stage VPIN Limiter

Product Overview

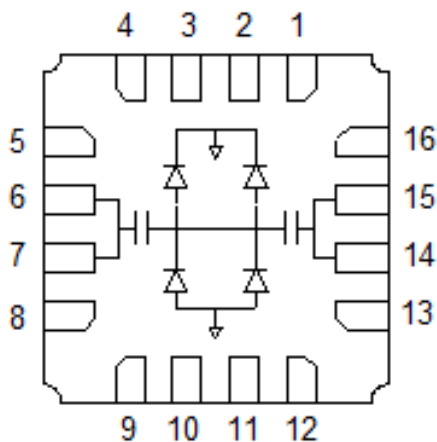
Qorvo's TGL2201-SM is a packaged dual stage Limiter fabricated on Qorvo's proven GaAs VPIN process. Operating over 2 to 12 GHz, the TGL2201-SM provided the limiting action at high input signal levels and low loss at small signal.

The TGL2201-SM is suitable for a variety of wideband systems such as LNA/receiver protection in radars, phased arrays, and jammers.



QFN 3 x 3 mm 16 L Package

Functional Block Diagram



Bottom View

Key Features

- 2 to 12 GHz Passive, High Isolation Limiter
- Insertion Loss: < 1.0 dB, X-band
- Return Loss: > 10 dB
- Input Power CW Survivability up to 5 W
- Flat Leakage: < 18 dBm
- Recovery Time: < 115 ns
- Integrated DC Block on both input and output
- Package Dimensions: 3.00 x 3.00 x 1.63 mm

Applications

- LNA Receive Chain Protection
- Military Radar

Ordering Information

Part	Description
TGL2201-SM T/R	Wideband VPIN Limiter T/R
TGL2201-SM EVAL	EVAL BOARD

Standard T/R size = 500 pieces on a 7" reel.

Absolute Maximum Ratings

Parameter	Rating
RF Input Power, CW, 50 Ω, 25 °C	37 dBm
Mounting Temperature (30 s max)	260 °C
Storage Temperature	-55 to 150 °C

Exceeding any one or a combination of the Absolute Maximum Rating conditions may cause permanent damage to the device. Extended application of Absolute Maximum Rating conditions to device may reduce device reliability.

Recommended Operating Conditions

Parameter	Min	Typ.	Max	Units
Passive – No Bias	-	-	-	
Temperature Range	-40	+25	+85	°C

Electrical specifications are measured at specified test conditions. Specifications are not guaranteed over all recommended operating conditions.

Electrical Specifications

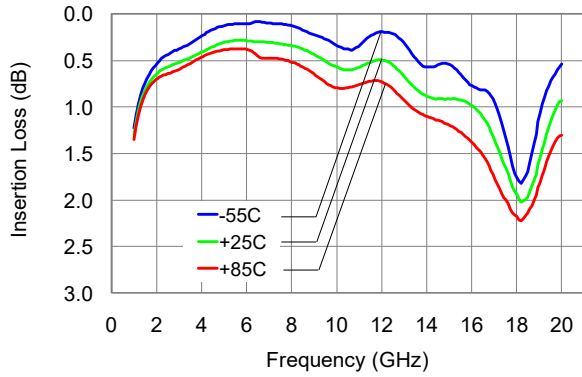
Test conditions unless otherwise noted: 25 °C

Parameter	Conditions	Min	Typical	Max	Units
Operational Frequency Range		2	-	12	GHz
Insertion Loss	2 - 11 GHz	-	0.5	1.1	dB
	11 - 12 GHz	-		1.4	
Input Return Loss	2 - 3 GHz	8	10	-	dB
	3 - 12 GHz	9	12	-	
Output Return Loss	2 - 3 GHz	8	10	-	dB
	3 - 12 GHz	9	12	-	
Flat Leakage Power @ P _{IN} > 27 dBm		-	18	-	dBm
Recovery Time		-	<115	-	ns

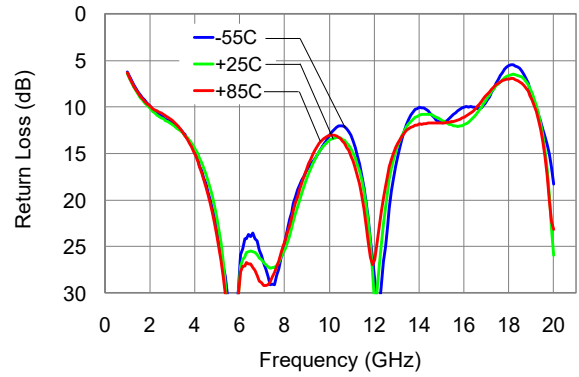
Performance Plots

Test conditions unless otherwise noted: Temp.=+25 °C

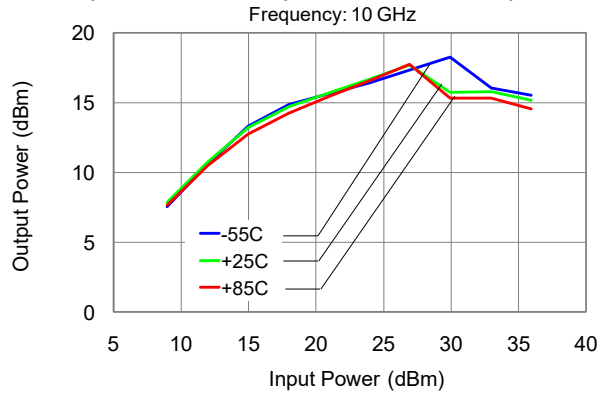
Insertion Loss vs. Frequency vs. Temperature



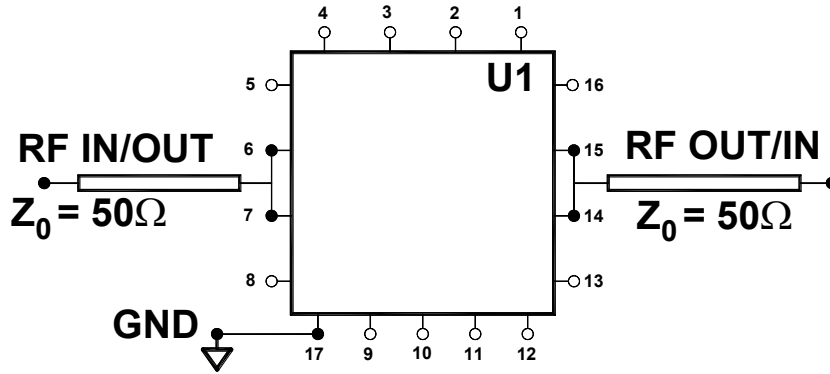
Return Loss vs. Frequency vs. Temperature



Output Power vs. Input Power vs. Temperature

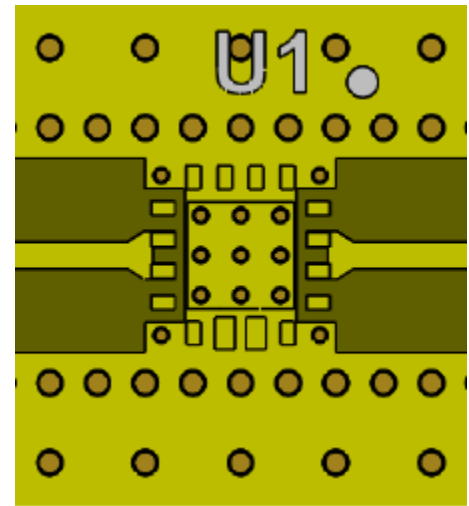
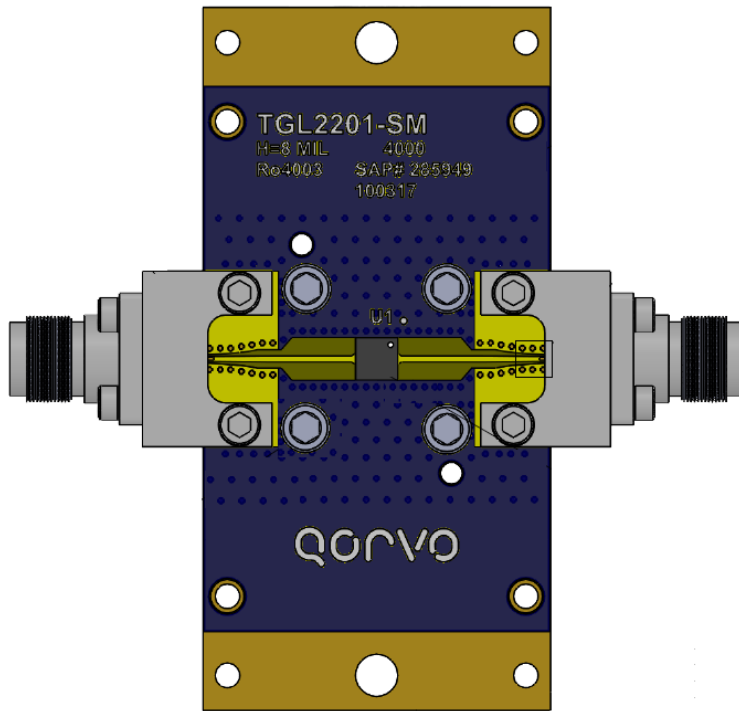


Application Circuit



Notes: A heat sink is recommended for high power operation (RF input > 1 W).

Evaluation Board (EVB) Layout & Mounting Detail

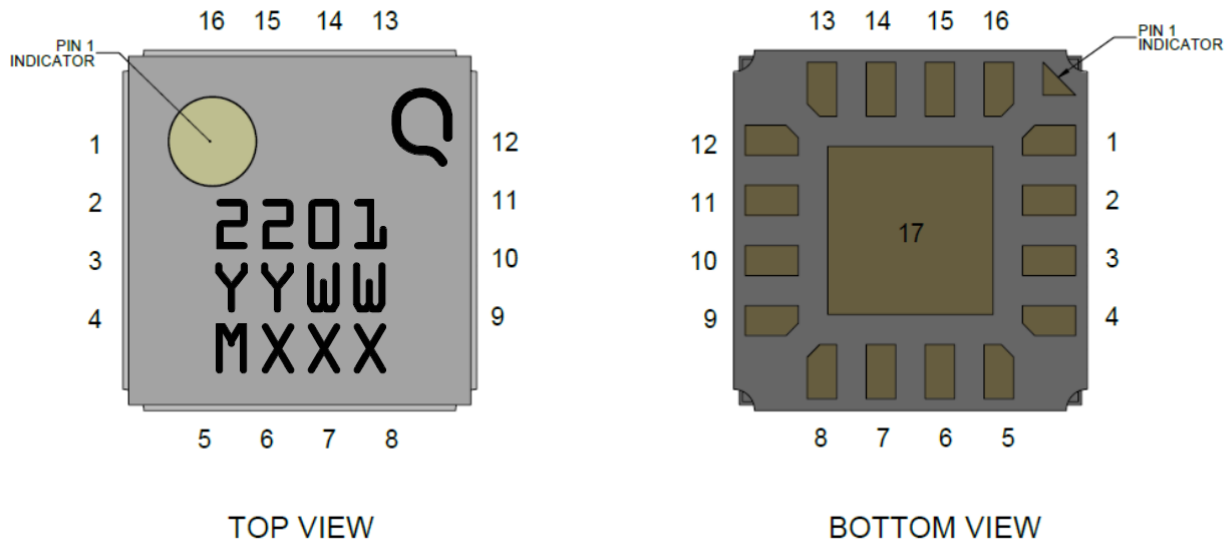


Mounting Detail

Notes:

1. Top RF layer is 0.008" thick Rogers RO4003, $\epsilon_r = 3.55$. Metal layers are 1-oz copper. Microstrip 50 Ω line width is .0174". The microstrip line tapers to a 0.014" width at the connector interface. This PCB is designed for the Southwest Microwave end launch connector 1092-01A-5.
2. The pad pattern shown has been developed and tested for optimized assembly at Qorvo. The PCB land pattern has been developed to accommodate lead and package tolerances. Since surface mount processes vary from company to company, careful process development is recommended.
3. Ground / thermal vias are critical for the proper performance of this device. Vias should use a .35mm (#80 / .0135") diameter drill and have a final plated thru diameter of 0.25 mm (.010").
4. Add as much copper as possible to inner and outer layers near the part to ensure optimal thermal performance.

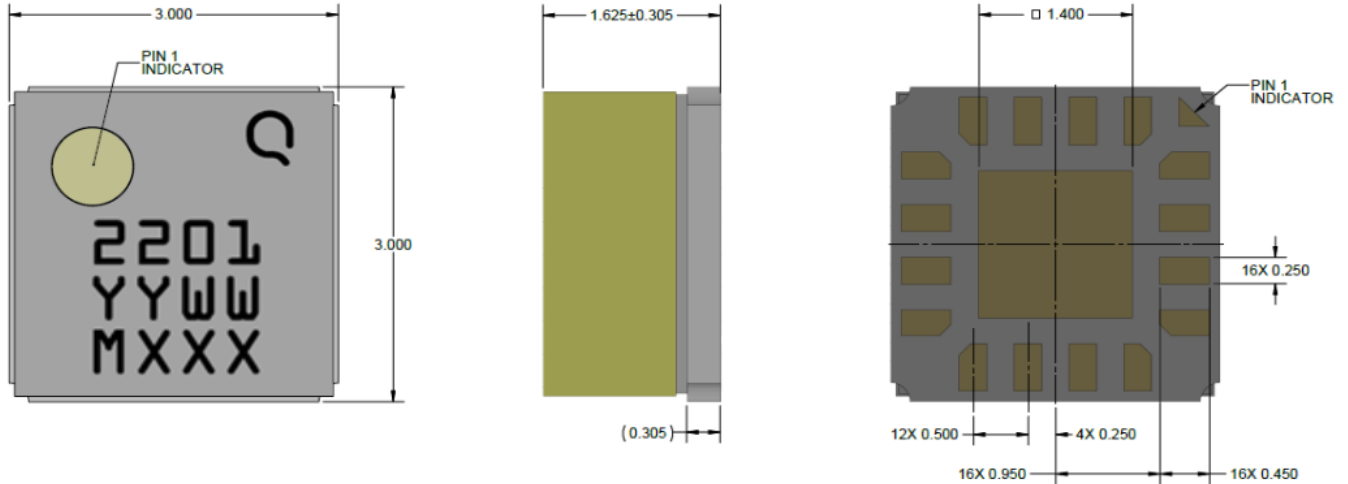
Pin Configuration and Description



Pin Description

Pin No.	Symbol	Description
1, 4, 9, 12	GND	Ground: Pins 1,4,9, and12 connected to 17 (backside paddle) inside package.
2, 3, 5, 8, 10, 11, 13, 16	N/C	No internal connection; may be grounded or left open on PCB
6, 7	RF IN/OUT	Input or output, matched to 50 ohms
14, 15	RF OUT/IN	Output or input, matched to 50 ohms
17	GND	On PCB, multiple vias should be employed under 17 to minimize inductance and thermal resistance; see page 5 for suggested mounting configuration.

Package Marking and Dimensions



UNLESS OTHERWISE SPECIFIED DIMENSIONS ARE IN MILLIMETERS.
TOLERANCE IS: .XX = ± 0.25; .XXX = ± 0.125, and ANGLES = 0.5°

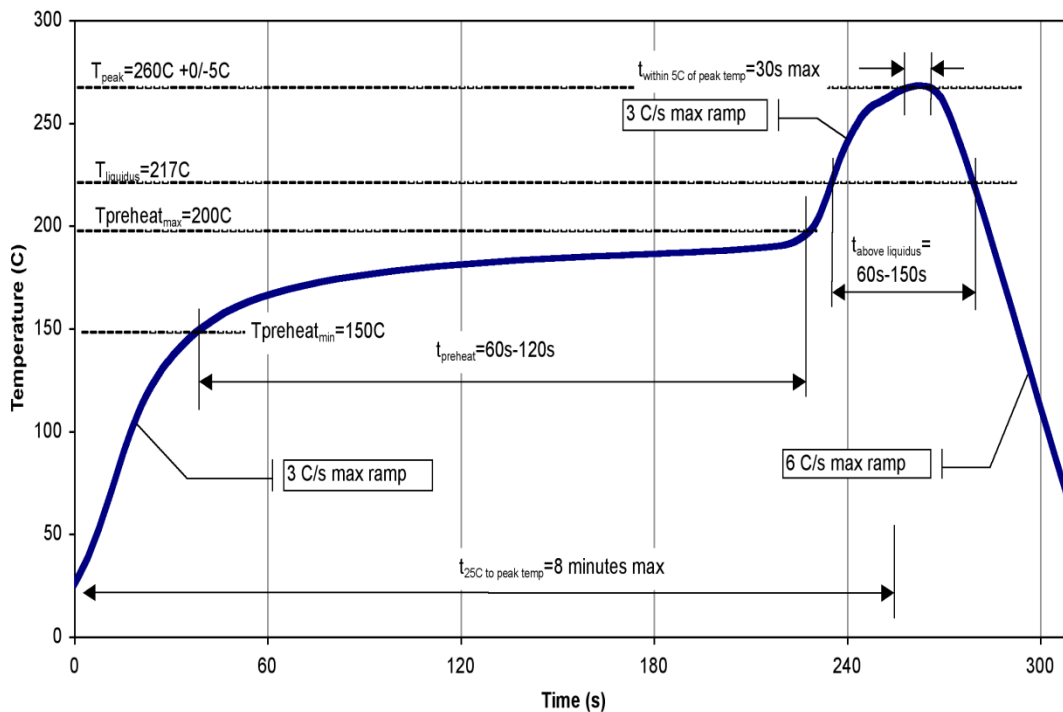
NOTES:

1. PACKAGE BASE: CERAMIC
2. PACKAGE LID: LAMINATE
3. THE PART IS EPOXY SEALED
4. PAD FINISH ON PACKAGE BASE:
5. PART MARKING:
 2201: PART NUMBER
 YY: PART ASSY YEAR
 WW: PART ASSY WEEK
 MXXX: BATCH ID

Assembly Notes

1. Compatible with lead-free soldering process with 260°C peak reflow temperature.
2. This package is non-hermetic and therefore cannot be subjected to aqueous washing. The use of no-clean solder to avoid washing after soldering is recommended.
3. The package base is ceramic and the plating material on the leads is gold over nickel (Au-Ni).

Recommended Soldering Profile



Handling Precautions

Parameter	Rating	Standard
ESD – Human Body Model (HBM)	Class 1B	ESDA / JEDEC JS-001
MSL – Moisture Sensitivity Level	Level 5a	IPC/JEDEC J-STD-020



Caution!
ESD-Sensitive Device

RoHS Compliance

This part is compliant with 2011/65/EU RoHS directive (Restrictions on the Use of Certain Hazardous Substances in Electrical and Electronic Equipment) as amended by Directive 2015/863/EU.

This product also has the following attributes:

- Lead Free
- Antimony Free
- TBBP-A (C₁₅H₁₂Br₄O₂) Free
- PFOS Free
- SVHC Free

Contact Information

For the latest specifications, additional product information, worldwide sales and distribution locations:

Web: www.qorvo.com

Tel: 1-844-890-8163

Email: customer.support@qorvo.com

Important Notice

The information contained herein is believed to be reliable; however, Qorvo makes no warranties regarding the information contained herein and assumes no responsibility or liability whatsoever for the use of the information contained herein. All information contained herein is subject to change without notice. Customers should obtain and verify the latest relevant information before placing orders for Qorvo products. The information contained herein, or any use of such information does not grant, explicitly or implicitly, to any party any patent rights, licenses, or any other intellectual property rights, whether with regard to such information itself or anything described by such information. **THIS INFORMATION DOES NOT CONSTITUTE A WARRANTY WITH RESPECT TO THE PRODUCTS DESCRIBED HEREIN, AND QORVO HEREBY DISCLAIMS ANY AND ALL WARRANTIES WITH RESPECT TO SUCH PRODUCTS WHETHER EXPRESS OR IMPLIED BY LAW, COURSE OF DEALING, COURSE OF PERFORMANCE, USAGE OF TRADE OR OTHERWISE, INCLUDING THE IMPLIED WARRANTIES OF MERCHANTABILITY AND FITNESS FOR A PARTICULAR PURPOSE.**

Without limiting the generality of the foregoing, Qorvo products are not warranted or authorized for use as critical components in medical, lifesaving, or life-sustaining applications, or other applications where a failure would reasonably be expected to cause severe personal injury or death.

Copyright 2025 © Qorvo, Inc. | Qorvo is a registered trademark of Qorvo, Inc.