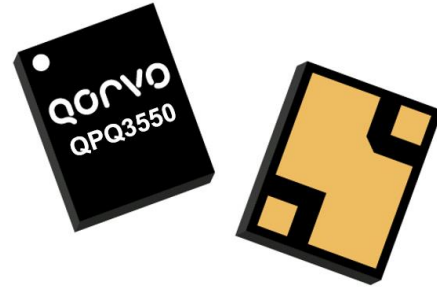


1. Product Overview and Benefits

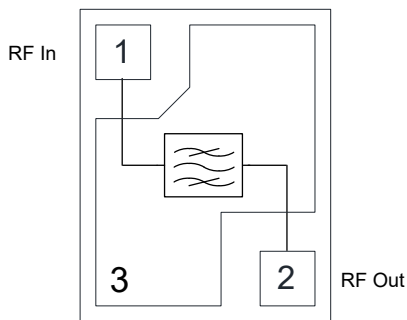
The Qorvo® QPQ3550 is an exceptionally high-performance BAW bandpass filter over the 3GPP band 48. For North America, this filter covers the CBRS as well. With +27dBm lifetime average power handling and small footprint, coupled with low insertion loss and high out-of-band rejection, this filter is very well suited for small cell or fixed wireless access type radios.

The QPQ3550 filter is housed in a compact 2.0 x 1.6mm LGA package and is part of Qorvo’s extensive portfolio of RF BAW and SAW filters.



3 Pin 2.0 x 1.6 mm leadless SMT Package

2. Functional Block Diagram



Top View

3. Key Features

- 150MHz Bandwidth – B48 Band & CBRS
- High Input Power, +27dBm
- Low Insertion Loss, 2.7dB max.
- No External Matching Required
- Excellent Out-of-Band Rejections
- Single Input, Single Output Operation
- Small Size: 2.00 x 1.60 x 0.721 mm
- Surface Mount Device
- RoHS Compliant, Pb-Free

4. Applications

- CBRS Radio
- Fixed Wireless Access
- Small Cell

5. Ordering Information

Part Number	Description
QPQ3550TR7	2500 pieces on 7" Tape & Reel
QPQ3550EVB	Evaluation board



Contact Information

For the latest specifications, additional product information, worldwide sales and distribution locations:

Web: www.qorvo.com

Tel: +1 844-890-8163

Email: customer.support@qorvo.com

Important Notices

The information contained in this Data Sheet and any associated documents ("Data Sheet Information") is believed to be reliable; however, Qorvo makes no warranties regarding the Data Sheet Information and assumes no responsibility or liability whatsoever for the use of or reliance on said information. All Data Sheet Information is subject to change without notice. Customers should obtain and verify the latest relevant Data Sheet Information before placing orders for Qorvo® products. Information concerning Qorvo's product life cycles is available at <https://www.qorvo.com/support/product-lifecycle-information>. Data Sheet Information or the use thereof does not grant, explicitly, implicitly or otherwise any rights or licenses with respect to patents or any other intellectual property whether with regard to such Data Sheet Information itself or anything described by such information.

Qorvo grants you permission to use this Data Sheet and any associated resources only to develop an application that uses the Qorvo products described in the Data Sheet and any associated resources. Other reproduction and display of this Data Sheet and any associated resources is prohibited.

Qorvo's products are provided subject to Qorvo's [Terms of Sale](#) or provided in conjunction with such Qorvo products. Qorvo objects to and rejects any additional or different terms customer may have proposed regarding the purchase of Qorvo products.

DATA SHEET INFORMATION DOES NOT CONSTITUTE A WARRANTY WITH RESPECT TO THE PRODUCTS DESCRIBED HEREIN, AND QORVO HEREBY DISCLAIMS ANY AND ALL WARRANTIES WITH RESPECT TO SUCH PRODUCTS WHETHER EXPRESS OR IMPLIED BY LAW, COURSE OF DEALING, COURSE OF PERFORMANCE, USAGE OF TRADE OR OTHERWISE, INCLUDING THE IMPLIED WARRANTIES OF MERCHANTABILITY AND FITNESS FOR A PARTICULAR PURPOSE. Without limiting the generality of the foregoing, Qorvo® products are not warranted or authorized for use as critical components in medical, life-saving, or life-sustaining applications, or other applications where a failure would reasonably be expected to cause severe personal injury or death. Applications described in the Data Sheet Information are for illustrative purposes only. Customers are responsible for validating that a particular product described in the Data Sheet Information is suitable for use in a particular application.

© 2025 Qorvo US, Inc. All rights reserved. This document is subject to copyright laws in various jurisdictions worldwide and may not be reproduced or distributed, in whole or in part, without the express written consent of Qorvo US, Inc.

QORVO® is a registered trademark of Qorvo US, Inc. All other trademarks and trade names are property of their respective owners.