

# QPA9501 - 4.5-5.0GHz Reference Design

## Product Overview

---

The QPA9501 is high power amplifier module containing an internally matched 3-stage PA, compensated DC biasing circuit and output power detector. This PA module is optimized for the WiFi bands from 5.1-5.9GHz and hence well suited for LTE-U/LAA applications. It provides high gain (32 dB) and -47dBc ACLR at Pout of 22dBm with a 20MHz LTE signal without any DPD.

The QPA9501 features chipset logic compatible control voltages and buffered PA enable pin (PAEN) all of which draw very low current to facilitate ease of use and compatibility with current and future transceiver generations. With its optimized power dissipation, this amplifier module is well suited for implementation into next generation MIMO configurations and well designed to work with or without digital pre-distortion (DPD).

The QPA9501 is assembled in a small footprint 4.0 x 4.0 x 0.85 mm 20-pin QFN package.

## Referenced Documents

The reference documents below take precedence over the contents of this application note, and should always be consulted for the latest information.

QPA9501 Data Sheet.

APPLICATION NOTE: QPA9501 - 4.5-5.0GHz Reference Design

## Application Electrical Performance

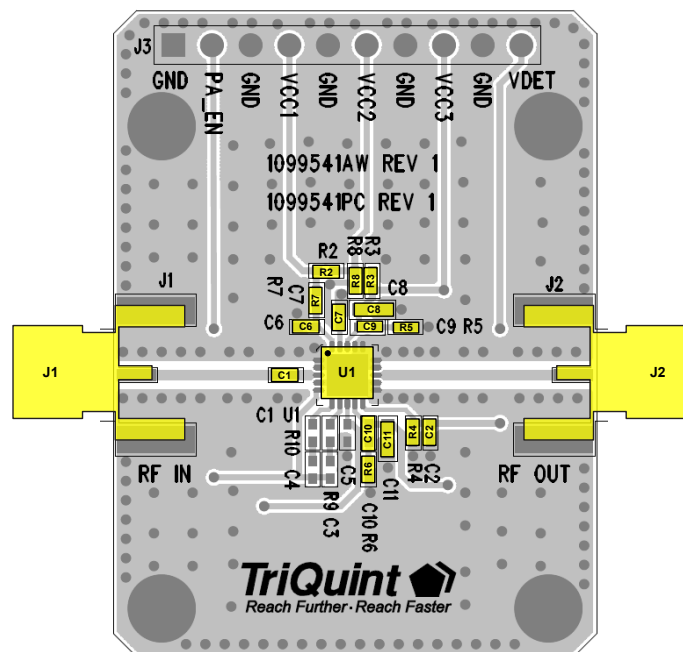
Qorvo Field and Factory Applications Engineers are available to provide technical assistance for determining appropriate matching networks for a particular application.

Parameter	Conditions	Typical Value			Units
Frequency		4500	4800	5000	MHz
Gain		26.9	33.2	34.2	dB
Input Return Loss		12.9	25.6	20.1	dB
Output Return Loss		13.3	8.5	6.4	dB
Output P1dB		26.4	29.8	31.3	dBm
ACLR	Pout=22dBm, 20MHz LTE, PAR 9.5dB	TBD	TBD	TBD	dBc
Device Current	V <sub>CC</sub> and V <sub>CC1</sub>	370			mA

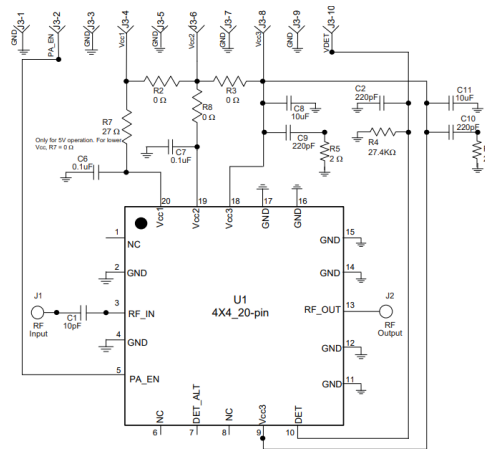
 Test conditions unless otherwise noted: V<sub>CC1</sub> = V<sub>CC2</sub> = V<sub>CC3</sub> = +5V, PA\_EN = +3V, I<sub>q</sub>=370mA Temp = +25 °C, 50 Ω system.

## Evaluation Board Information

### Evaluation Board and Schematic



## APPLICATION NOTE: QPA9501 - 4.5-5.0GHz Reference Design



### Notes:

- Components shown on PCB layout but not on the schematic are not used.
  - C3: Right edge of capacitor is 6.18mm from left edge of DUT
  - C1: Right edge of capacitor is 1.65mm from left edge of DUT
  - C4: Left edge of capacitor is 1.52mm from right edge of DUT
  - C5: Left edge of capacitor is 7.43mm from right edge of DUT
  - L1: Left edge of inductor is 2.43mm from right edge of DUT

## Evaluation Board – Bill of Material

Reference Des.	Value	Description	Manuf.	Part Number
n/a	-	Printed Circuit Board	Qorvo	
U1	-	High Gain Driver Amplifier	Qorvo	QPA9121
R2, R8, R3	0 Ω	Resistor, Chip, 0402, 5%	various	
C1, C5	10 pF	Capacitor, Chip, 0402, 5%	various	
C3	0.4 pF	Capacitor, Chip, 0402, 5%	various	
C4	0.3 pF	Capacitor, Chip, 0402, 5%	various	
C6, C7	0.1 uF	Capacitor, Chip, 0402, 10%	various	
C8, C11	10 uF	Capacitor, Chip, 0402, 10%	various	
C9, C10, C2	220 pF	Capacitor, Chip, 0402, 10%	various	
R7	27 Ω	Resistor, Chip, 0402, 5%, 1/10W	various	
R5, R6	2 Ω	Resistor, Chip, 0402, 5%, 1/16W	various	
R4	27.4 KΩ	Resistor, Chip, 0402, 5%, 1/16W	various	
L1	2.2 nH	Inductor, ±0.1nH, 0402	Murata	LQG15HS1N6B02D

APPLICATION NOTE: QPA9501 - 4.5-5.0GHz Reference Design

## Additional Information

For information on ESD, Soldering Profiles, Packaging Standards, Handling and Assembly, please contact Qorvo for general guidelines.

## Contact Information

For the latest specifications, additional product information, worldwide sales and distribution locations:

**Web:** [www.qorvo.com](http://www.qorvo.com)

**Tel:** 1-844-890-8163

**Email:** [customer.support@qorvo.com](mailto:customer.support@qorvo.com)

## Important Notice

The information contained in this Data Sheet and any associated documents ("Data Sheet Information") is believed to be reliable; however, Qorvo makes no warranties regarding the Data Sheet Information and assumes no responsibility or liability whatsoever for the use of said information. All Data Sheet Information is subject to change without notice. Customers should obtain and verify the latest relevant Data Sheet Information before placing orders for Qorvo® products. Data Sheet Information or the use thereof does not grant, explicitly, implicitly or otherwise any rights or licenses to any third party with respect to patents or any other intellectual property whether with regard to such Data Sheet Information itself or anything described by such information.

DATA SHEET INFORMATION DOES NOT CONSTITUTE A WARRANTY WITH RESPECT TO THE PRODUCTS DESCRIBED HEREIN, AND QORVO HEREBY DISCLAIMS ANY AND ALL WARRANTIES WITH RESPECT TO SUCH PRODUCTS WHETHER EXPRESS OR IMPLIED BY LAW, COURSE OF DEALING, COURSE OF PERFORMANCE, USAGE OF TRADE OR OTHERWISE, INCLUDING THE IMPLIED WARRANTIES OF MERCHANTABILITY AND FITNESS FOR A PARTICULAR PURPOSE. Without limiting the generality of the foregoing, Qorvo® products are not warranted or authorized for use as critical components in medical, life-saving, or life-sustaining applications, or other applications where a failure would reasonably be expected to cause severe personal injury or death. Applications described in the Data Sheet Information are for illustrative purposes only. Customers are responsible for validating that a particular product described in the Data Sheet Information is suitable for use in a particular application.

© 2025 Qorvo US, Inc. All rights reserved. This document is subject to copyright laws in various jurisdictions worldwide and may not be reproduced or distributed, in whole or in part, without the express written consent of Qorvo US, Inc. | QORVO® is a registered trademark of Qorvo US, Inc.